

DUAL CAMERA CAR BLACKBOX (VSDX1000)



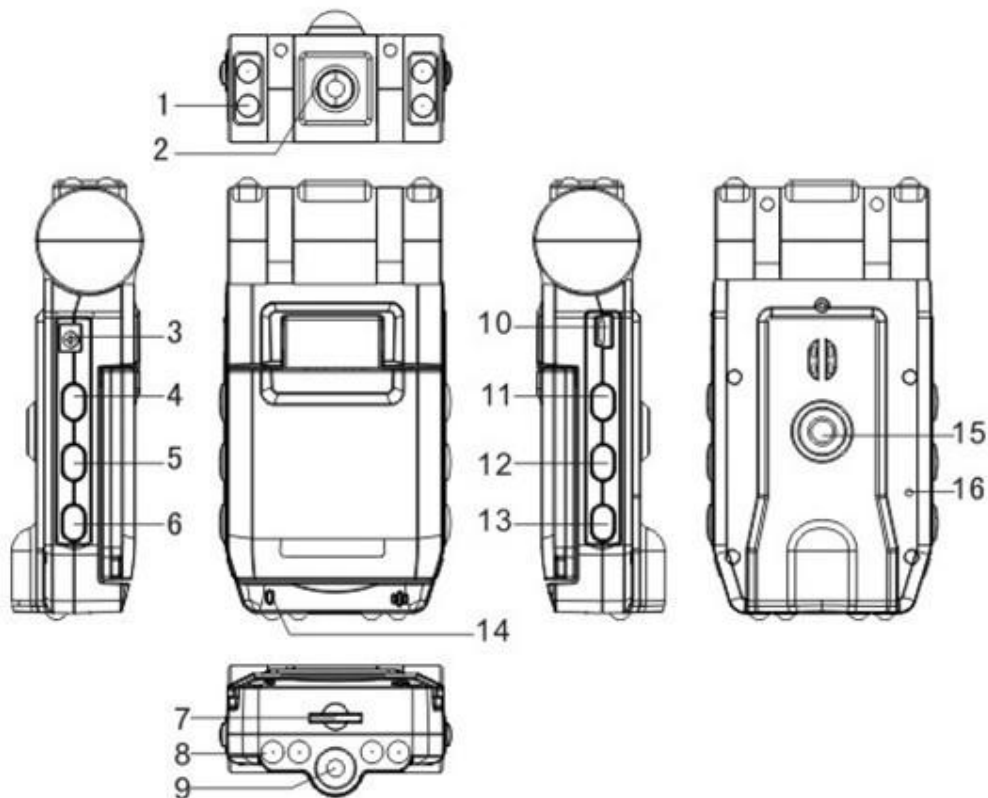
Thanks for purchasing this dural-lens Car DVR.This product is our Lates Car DVR with dural lens which can work at the same time.This is completely different from the current ones.The driver can see the scen inside and outside together.

Please read this manual carefully and be sure you understand it completely before using.

Features

- I Dural Lens,Survailiance the outside and the inside together
- I With the nighvision function
- I Front Lens with rotation function,it is 180degree
- I Screen with rotation function,it can roll 270 degree
- I 120 degree lens
- I Auto-ecording,Cycling Recording
- I Support Six language:English,Россия, 한국, 日本語, 繁体中文, 简体中文

Construction



- 1, Front IR Indicator 2,Front Lens 3,DC 5V 4,ON/OFF 5,MENU 6,REC/SNAP 7,TF
 8,Rear IR Indicator 9,Rear Lens 10,USB 11,MODE 12,UP 13,DOWN 14,Indicator
 15,Connection for Mount 16,Reset

Specification

LCD	2.0" TFT LCD
Lens	120 Wide Angle
Video Resolution	1280*480
Image Resolution	2560*1920
Video Format	AVI
Video Format	JPG
Memory	TF (512M-32G)
Lanugage	English, Россия, 한국, 日本語, 繁体中文, 简体中文
Current	50HZ/60HZ
Data Transfer Interface	USB2.0

Operation

1、 On:

Handle:

Press ON/OFF Button and release it, the green light is blinking, camera is recording the video with audio automatically.

Auto-Maticaly

Connect the camera to cigar jack (the Engine should be on work), the green light is blinking, camera is recording the video with audio automatically.

Notice:

If there is no card inside, the screen will show "error".

2、 Off:

Press the button, on/off button and release it.

3、 Record Video:

- I Press the button, on/off
- I Green indicator is blinking
- I Press REC/SNAP button and release it to save a file.
- I The green indicator will be burning.
- I Press and release the button again to record another video.

4、 Shoot Image

- I In the standby status, press mode
- I Press and release the button REC/SNAP

5、 Replay and Delete

Replay

- I In the standby status, press and release MODE Button two times.
- I Press UP or DOWN Button to choose
- I Press REC/SNAP again to replay

Delete

- I In the standby status, press and release MODE Button two times.
- I Press and release UP or DOWN Button to choose
- I Press and release MENU BUTTON
- I Press and release to choose CANCEL OR GIVE UP

- I Press and release REC/SNAP to confirm

6.Night Vision Function

The lens can inspect the light automatically,if it is too dark,the light will be on automatically.Of course,it also be off automatically after it inspects itself.

7.Switch of Lens

- I In the status of standby or video mode,press UP Button to switch the working lens.The Default is for the two lens together.
- I Press and release the Up button,it will be for front lens single
- I Press and release again to be for rear lens single.
- I Press and release three times for two lens.

8. Rotation Lens

In the status of standby,press the button,DOWN to change the video or image showing on the screen.

Manu Reset

- I In the status of standby,press the button,MENU to enter into the rest page.
- I Press UP or DOWN to choose the item
- I Press REC/SNAP to confirm
- I Press UP or DOWN to choose the specification you need to use
- I Press REC/SNAP to confirm
- I Press MENU to get out.

No.	Menu Reset	Content
1	Video Resolution	1280*480
2	FPS	10/20/30fps
3	Recyle Time	2min/5min
4	Audio	On/Off
5	Language	English,Россия , 한국 , 日本語 , 繁体中文 , 简体中文
6	Frequency	50HZ/60HZ
7	Time stamp	<ul style="list-style-type: none"> I Press and release the button,REC/SNAP I Press and release the button,UP or DOWN to choose I Press and release the button,REC/SNAP to confirm I When confirm the “Off” ,then it will get out from the status I When confirm the “Reset”,it will get into reset page I Press UP or DOWN to change the time I Press REC/SNAP button to confirm I Press REC/SNAP to get out

File Name

- I The rute of store:Movable: \DCIM \PICT0001.AVI or *.JPG
- I File name:PICT0001.AVI or PICT0002.JPG, the last number will add itself base on 0001